

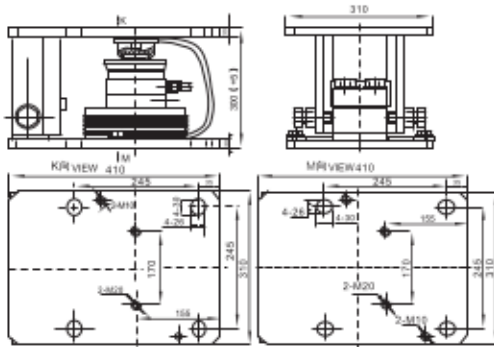
NHS-A/-ASS Loadcell

NHS-A/-ASS

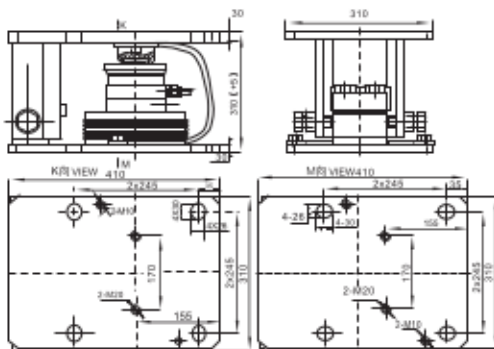


Rated Load (t)	H
47	230
68	240

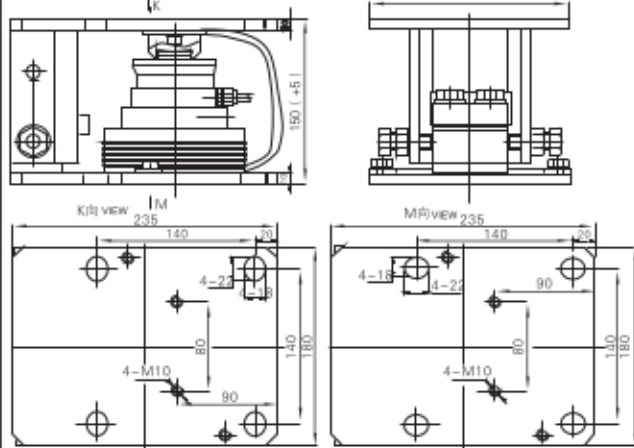
NHS 100t



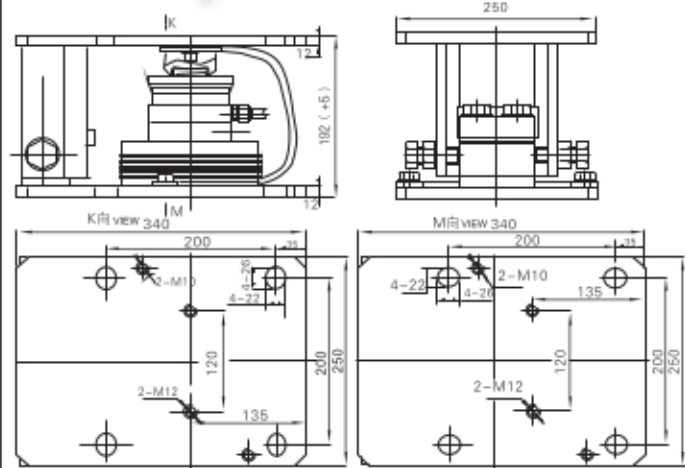
NHS 150t



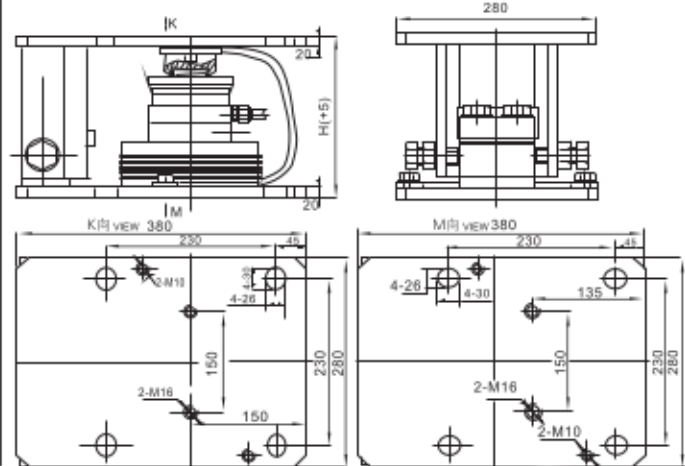
NHS 10-22t Module

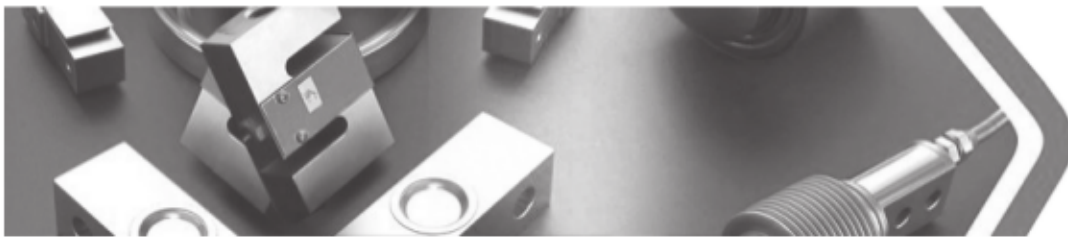


NHS 33t Module



NHS 47-68t Module





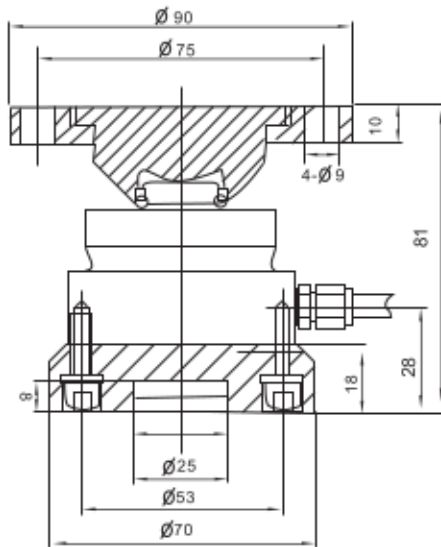
NHS-A/-ASS Loadcell

NHS-A/-ASS

10~150t

Rated Load(t)	A	B	C	H	J	K
10-22	75	30	75	50	7	6.5
33	95	40	95	65	7	10
47	130	60	130	75	7	14
68	130	60	130	85	7	14
100	150	70	150	90	7	16
150	150	70	150	100	7	16

1~4.7t



10~100t

Rated Load(t)	A	B	C	D	E	H	K	J	N
10-22	45	75	55	80	100	95	20	11.5	10
33	58	95	68	95	120	120	25	13	12
47	80	130	92	130	170	140	30	17.5	20
68	80	130	92	130	170	150	30	17.5	20
100	100	150	110	150	200	177	40	25	22
150	100	150	110	150	200	187	40	25	22



Thickness of the limited pin is 10mm, recommended depth for the installation base plate is 6mm

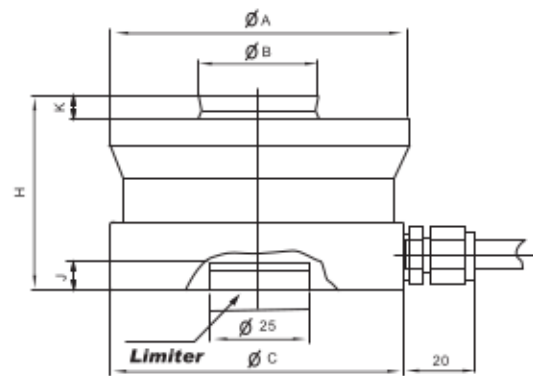
Axle wheel scale, hopper scale, Silo scale

TECHNICAL PARAMETER

OAP version 4Wires :Exc+(Blue);Exc-(Black);Sig+(White);Sig-(Red)

Rated capacities(Emax)	1,2,2.3,3,4,7,10,15,22,33,47,68,100,150t	Temperature range, compensated	-10°C~+40°C
Sensitivity	2.85±0.015mV/V	Temperature range, operating	-30~+70°C
Total error	±0.03, ±0.05, ±0.1%F.S	Maximum safe overload	150%F.S
Creep error (30min)	±0.03%F.S	Ultimate overload	200%F.S
Zero balance	±1%F.S	Excitation, recommended	10-12V DC
TC ZERO	±0.03%F.S/10°C	Excitation, maximum	15V DC
TC SPAN	±0.03%F.S/10°C	Protection class	IP68
Input resistance	1450±10Ω	Construction	Alloy Steel Stainless Steel
Output resistance	1402±5Ω (L≥15m)	Cable	Length=L:8m(1~4.7t), 12m(10~33t), 16m(47~150t)
Insulation resistance	≥5000MΩ		Diameter: φ 6mm

10~150t



10~100t

