

# NWBK Truck and tank weighing load cell, 10tf - 30tf

Load Cell



### FEATURES

- OIML C3 approved (OIML R60)
- Built in lightening protection device
- Ex ia IIC T6 approved
- Protection class IP68

### OPTIONS

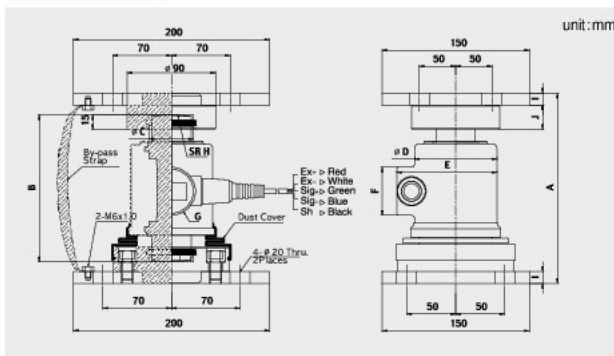
- C3 approved



### SPECIFICATIONS

Max. capacity	tf	10, 25, 30
Rated output	mV/V	2.0 ± 0.005
Zero balance	mV/V	0 + 0.02
Accuracy class		D3                      C3
Combined error	%	0.03                      0.02
Repeatability	%	0.02                      0.01
Creep for 30min.	%	0.03                      0.017
Temperature effect on		
Zero Value	%/10 °C	0.03                      0.014
Output value	%/10 °C	0.03                      0.011
Excitation		
Recommended	V	10
Maximum	V	15
Resistance		
Input	Ω	350 + 3.5
Output	Ω	350 ± 3.5
Insulation	M.Ω	> 2,000
Compensated temperature range	°C	-10 to +40
Operating temperature range	°C	-40 to +70

### DIMENSIONS



### Material

Stainless Steel

### Cable

Braided shield 4-wire round cable with P.V.C-jacket  
Length: 10m

Model	Capacity	A	B	C	D	E	F	G	H	I	J
NWBK - 10	10tf	194	150	45.4	84	107	51	51	250	12	25
NWBK - 25	25tf										
NWBK - 30	30tf										