

FLC 3A

HYGIENIC COMPRESSION LOAD CELL - FOR FOOT

LAUMAS®



Capacity from 1000 kg to 20000 kg



EXAMPLE OF INSTALLATION ON HYGIENIC FOOT



- 17-4 PH STAINLESS STEEL
- COMBINED ERROR $\leq \pm 0.1\%$
- IP69K PROTECTION RATING
- CABLE SUITABLE FOR CONTACT WITH FOOD
- ADJUSTABLE HEIGHT
- HYGIENIC DEVICE RPSCQC AUTHORIZED BY 3-A SSI.

CAPACITY	kg	THREAD	NET WEIGHT (kg)
1000		M12	1.6
2000		M12	1.52
5000		M16	1.7
5000		M20	1.7
10000		M24	1.7
10000		M30	2.21
20000		M36	2.5

Foot not included.

CERTIFICATIONS



Equivalent of the CE marking for the United Kingdom



American standard that regulates the design, production and use of hygienic equipment

CERTIFICATIONS ON REQUEST



Linearity test

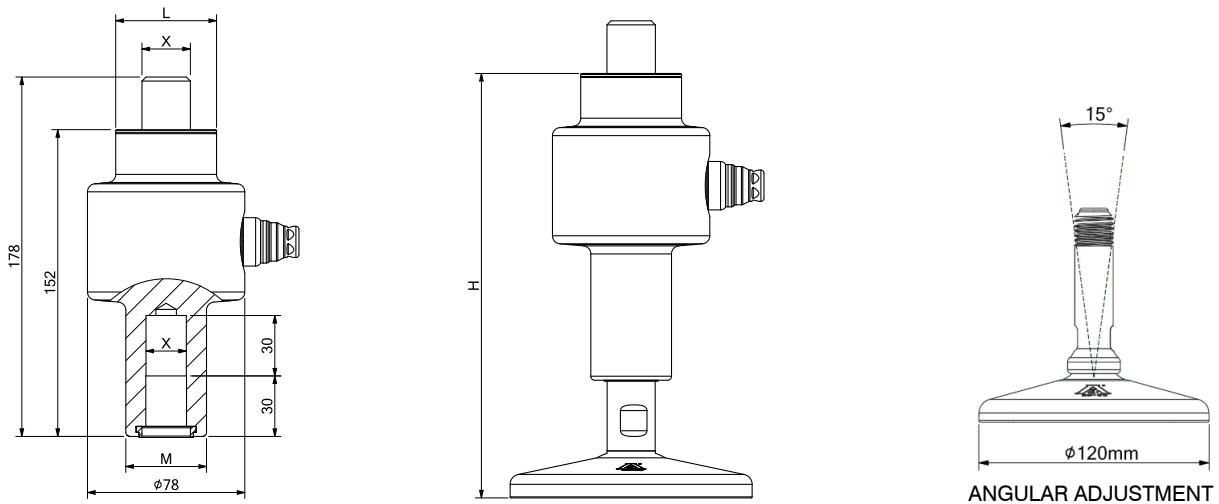
Rev. 0.0

FLC 3A

HYGIENIC COMPRESSION LOAD CELL - FOR FOOT

LAUMAS®

DIMENSIONS AND TECHNICAL SPECIFICATIONS



CAPACITY	X	L (mm)	M (mm)	H (FLC+HD)
1000 kg	M12x1.75	24	40	200 ÷ 210 mm
2000 kg	M12x1.75	24	40	
5000 kg	M16x2	30	40	
5000 kg	M20x2.5	35	40	
10000 kg	M24x3	50	40	
10000 kg	M30x3.5	50	50	
20000 kg	M36x4	50	50	

Installation notes:

- screw the foot all the way in;
- slightly unscrew the foot to adjust (maximum excursion: 10 mm).

For further information see the HD data sheets
On request: hygienic foot with dowel fastening

For other types of hygienic, non-hygienic feet or customizations
contact <https://martinlevelling.it>

TECHNICAL FEATURES

Material	17-4 PH stainless steel		
Nominal load	1000 - 2000 - 5000 - 10000 - 20000 kg		
Combined error	≤ ±0.1%		
Protection rating	IP69K		
Rated output	2.0 mV/V ±0.1%	Input resistance	350 Ω ±20
Temperature effect on zero	0.005% °C	Output resistance	350 Ω ±5
Temperature effect on span	0.005% °C	Zero balance	±1%
Compensated temperature range	-10 °C / +50 °C	Insulation resistance	>5000 MΩ
Operating temperature range	-20 °C / +70 °C	Safe overload (% of full scale)	150%
Creep at nominal load in 30 minutes	0.05%	Ultimate overload (% of full scale)	300%
Max supply voltage without damage	5 ÷ 15 VDC	Deflection at nominal load	0.3 mm

ELECTRICAL CONNECTIONS

Cable length	5 m: 1000 kg, 2000 kg, 5000 kg, 10000 kg (M24) 10 m: 10000 kg (M30), 20000 kg
Cable diameter	5 mm
Cores	6 x 0.20 mm ²

